

Precautions



This luminaire is for indoor use only.



Input voltage must comply with the range as specified on the LED driver.



Operating temperature range : -20 °C ~ +40 °C
Storage temperature range : -20 °C ~ +50 °C

- It is recommended that installation should be performed by professionals or certified electricians; and ensure that the power is turned off during installation, maintenance, and cleaning.
- Do not remove the warranty and manufacture labels, nor disassemble, repair, or modify the luminaire.
- Please ensure that the luminaire is complete and intact, and wires are not damaged nor broken before installation. In addition, please do not connect the luminaire with other electrical equipments in series.
- Please mind the sharp angles around the luminaire, and ensure that the luminaire is installed firmly to prevent it from falling and causing injuries.
- Wipe the luminaire gently by soft cloth without any solvent when performing cleaning tasks to prevent the luminaire's surface from scratching or damaging.
- Please use the original carton provided when performing storing and delivery tasks; don't drop or place heavy objects on it.

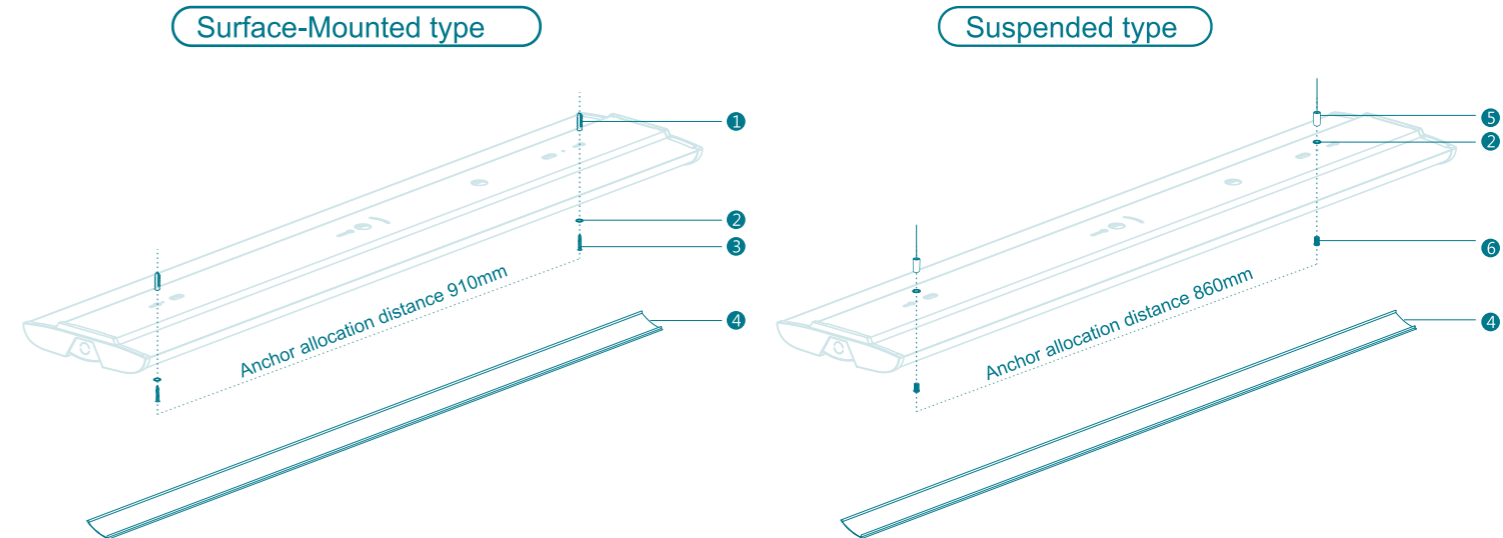
Simple troubleshooting

Problem	Possible causes	Troubleshooting
Luminaire fails to light up.	<ul style="list-style-type: none"> ▷ Power is not on. ▷ Power cord is not properly connected. ▷ Luminaire or LED driver malfunction. 	<ul style="list-style-type: none"> Switch on the power. Ensure all wires are properly connected. Please contact the distributor for customer service.
Luminaire lights does not light up at all.	<ul style="list-style-type: none"> ▷ LED light source malfunction. 	<ul style="list-style-type: none"> Please contact the distributor for customer service.

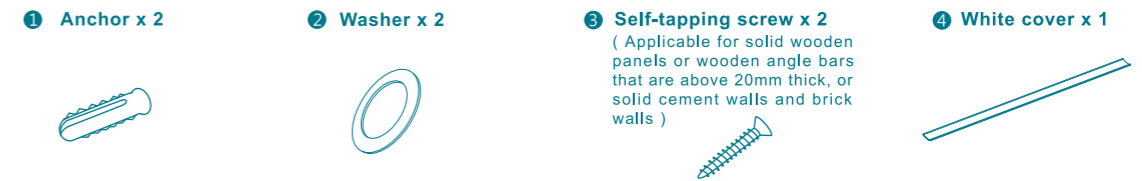
Warranty

- 1 · Service: Under normal usage, if the product is found to be defective within its warranty period, please send the product and the receipt back for repair.
- 2 · The warranty is void if :
 - Incorrect voltage was applied to the product, or the product was installed improperly, or used in abnormal environment / under abnormal usage, or its precautions were not followed.
 - The product did not use the dedicated LED driver provided by us.
 - The product is repaired, modified, or altered in any way; or, the warranty and the manufacture labels were removed, damaged, or unrecognizable.
 - The failure was caused by the buyer's misbehavior or carelessness during transportation, delivery, or storage process after purchasing.
 - The failure was caused by natural disasters such as earthquake, or nibbles by mice or bugs etc.
 - The product was used or operated under special and harsh environments; for example, damp or sulphuric area, seashore area, or on the ship, or other corrosive and erosive environments.
- 3 · For further information regarding the product, please refer to our website or contact customer service.

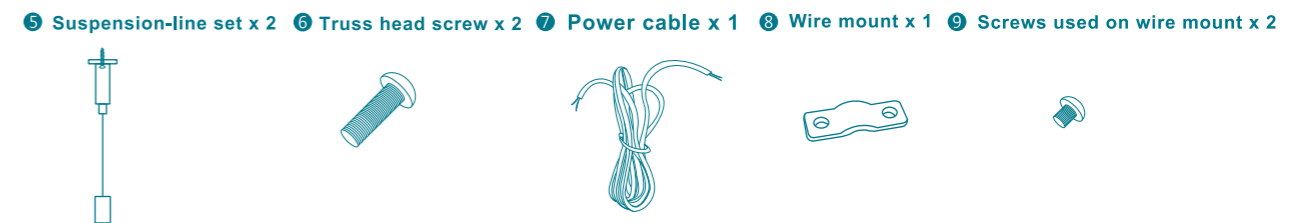
Luminaire accessories and Anchor allocation position



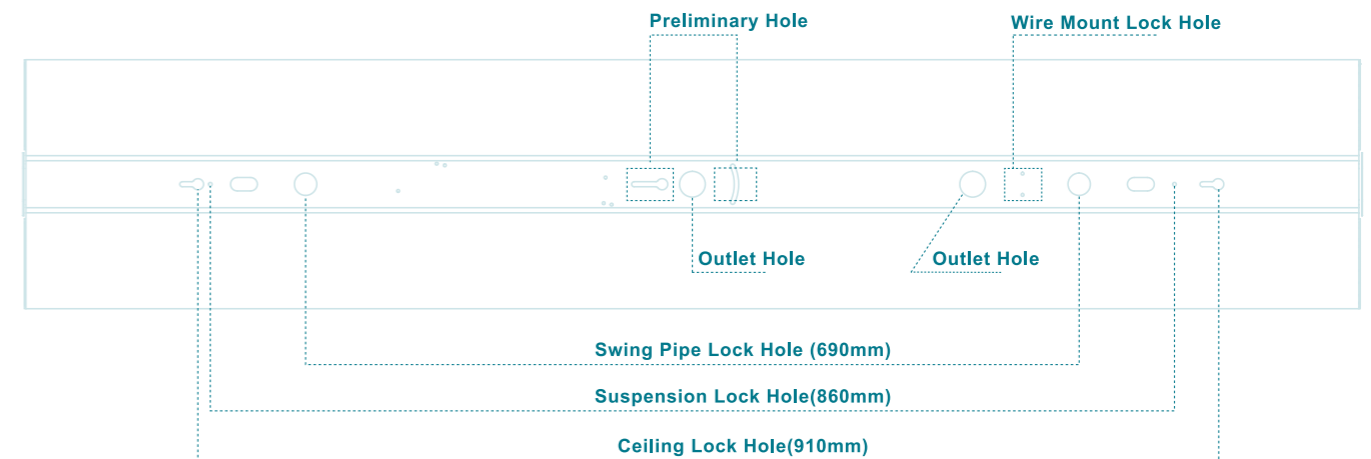
Accessories for Surface-Mounted type



Accessories for Suspended type



Hole on luminaire diagram

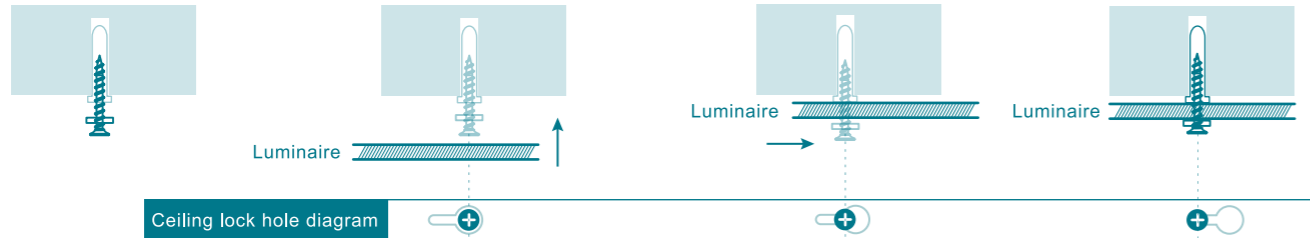


Installation guide for Surface-Mounted type

Luminaire allocation

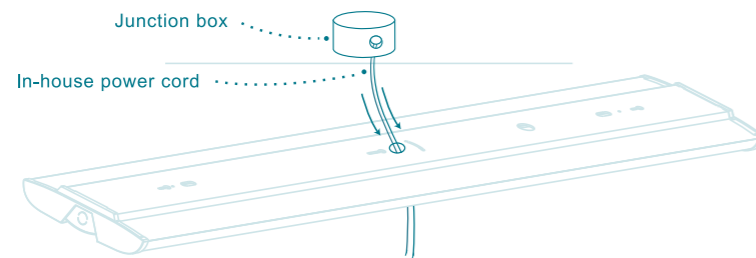
- 1 **a** Referring to the diagram of "Hole on luminaire", drill the hole to fix the two anchors, and screw the self-tapping screws and washers half into the two anchors.
- b** Align "the two ceiling lock hole" of the luminaire and "two half-screwed self-tapping screws", and push the luminaire up.
- c** Move the luminaire to be latched by the ceiling lock hole of the luminaire.
- d** After latching with the ceiling lock hole, screw the other half of self-tapping screws, and finish the luminaire allocation.

Before allocating luminaire, pass the in-house power cord through the outlet hole of the luminaire for preparing wiring.



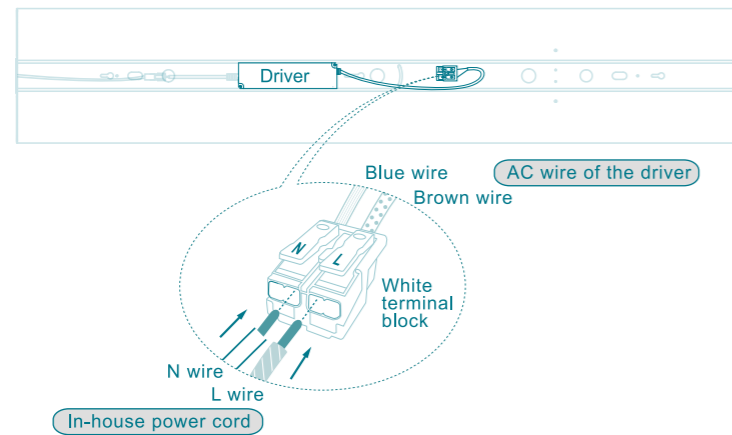
Wiring

- 2 Pull the in-house power cord from the junction box, and then pass it through the outlet hole of the luminaire.



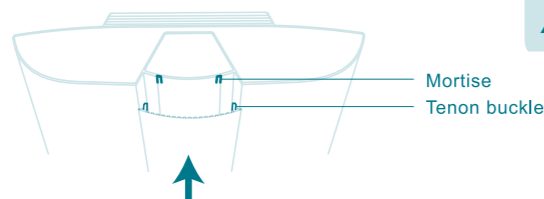
Please turn off the AC power.

- 3 Insert the in-house power cord into white terminal block which fixed inside the luminaire.

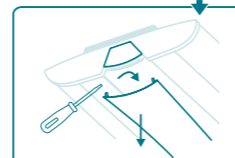


Install white cover, finish installation

- 4 Press hard on the short side of white cover. You will hear a sound when the tenon buckle into mortise, indicating buckled correctly, then keep pressing the white cover hard to the other side along the cover to complete the installation.



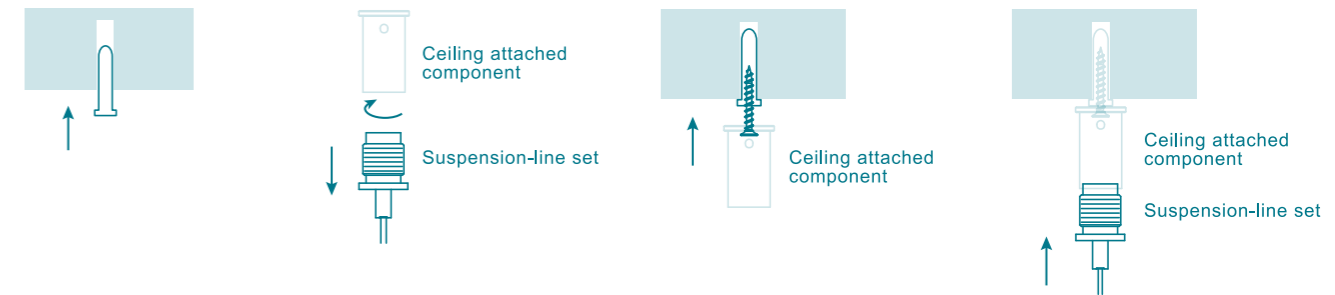
If need to open the white cover, insert the slotted screwdriver into the junction position at each of two sides between white cover and luminaire, then pull the white cover up.



Installation guide for Suspended type

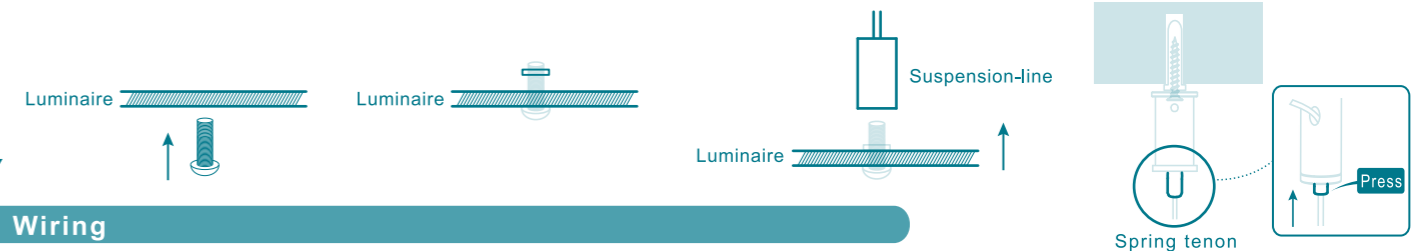
Installation guide for suspension-line set on the ceiling

- 1 **a** Referring to the diagram " Hole on Luminaire", drill the hole to fix two anchors.
- b** Turn on the ceiling attached component of suspension-line set
- c** Fix the ceiling attached component to the anchor with Self-tapping screw.
- d** Screw the suspension-line set to the ceiling attached Component firmly



Installation guide for suspension-line set with luminaire

- 2 **a** Screw two truss head screws into suspension lock hole on the Luminaire.
- b** Put the washers on the truss head screws separately.
- c** Screw suspension-line set with truss head screws firmly to complete the suspended type installation.
- d** Press the spring tenon of the ceiling attached component to adjust the length of suspension-line.

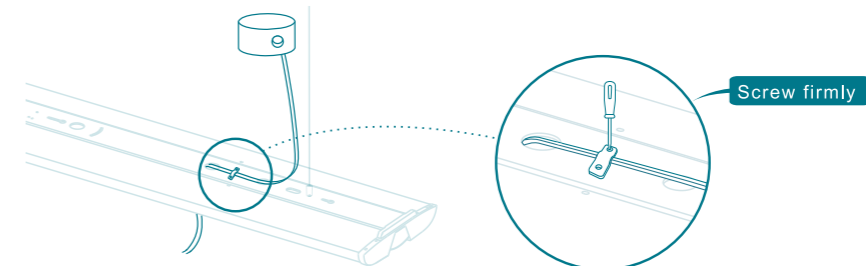


Wiring

- 3 Pull the in-house power cord from the junction box, and then connect it with power cable by insulation tape.



- 4 Fix the power cable on the luminaire with wire mount and screws used on wire mount. (screwing torque 0.5Nm). Then, pass the power cable through the outlet hole of luminaire.



- 5 Insert the power cable into white terminal block. (Please refer to installation guide of Surface-Mounted type step 3.)

- 6 Press hard on the short side of white cover. You will hear a sound when the tenon buckle into mortise, indicating buckled correctly, then keep pressing the white cover hard to the other along the cover to complete installation. (Please refer to installation guide of Surface-Mounted type step 4.)