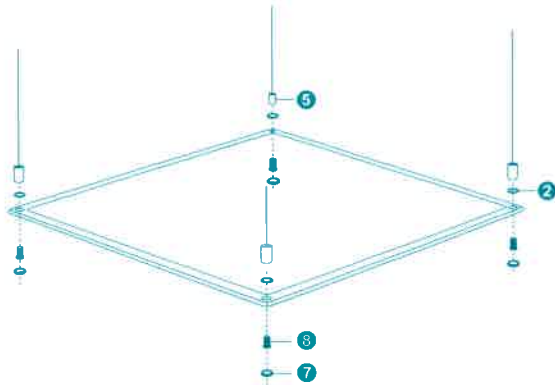


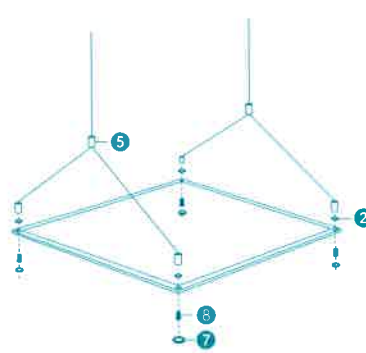
LED Panel Light (Suspended Type)

Installation guide

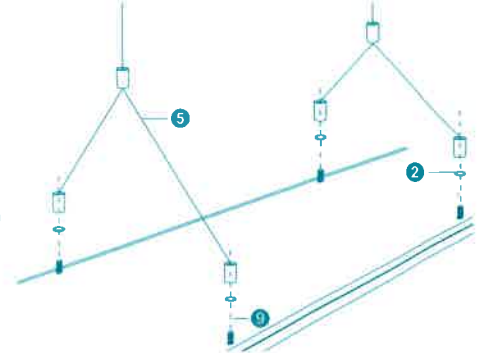
Large square luminaire
(I shape suspension line)



Small square luminaire
(Y shape suspension line)



Rectangular luminaire
(Y shape suspension line)



1. Connect the suspension-line set and ceiling (Diagram A & B):

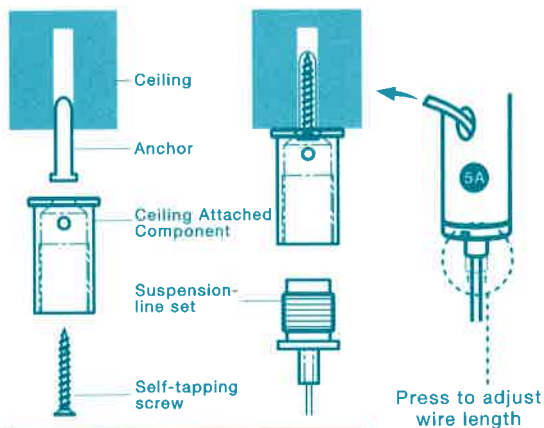
Determine the position where the luminaires is to be installed; pierce holes, screw the anchors into the mounting surface, and fix the ceiling attached component by self-tapping screw. Connect the suspended line with ceiling attached component; press the flexible button (on ceiling attached component for I shape, cylinder for Y shape) to adjust the length of suspended line.

2. Connecting the luminaire to the suspension-line set:

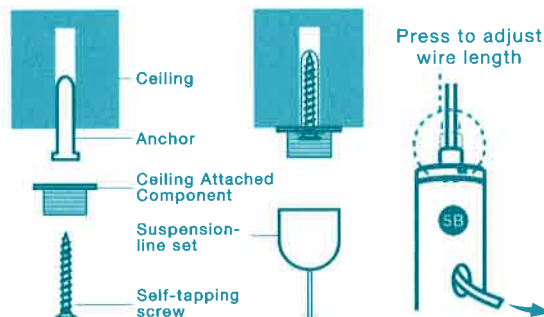
- Square luminaire: put truss head screws into four sides of the luminaire and fix suspension-line set with washers. Finally, insert white decorative caps on top of the screw holes to complete installation.
- Rectangle luminaire: put suspension-line set onto the studs and fix it with washers.

3. Connect the luminaire to the LED driver by the following steps (Diagram C):

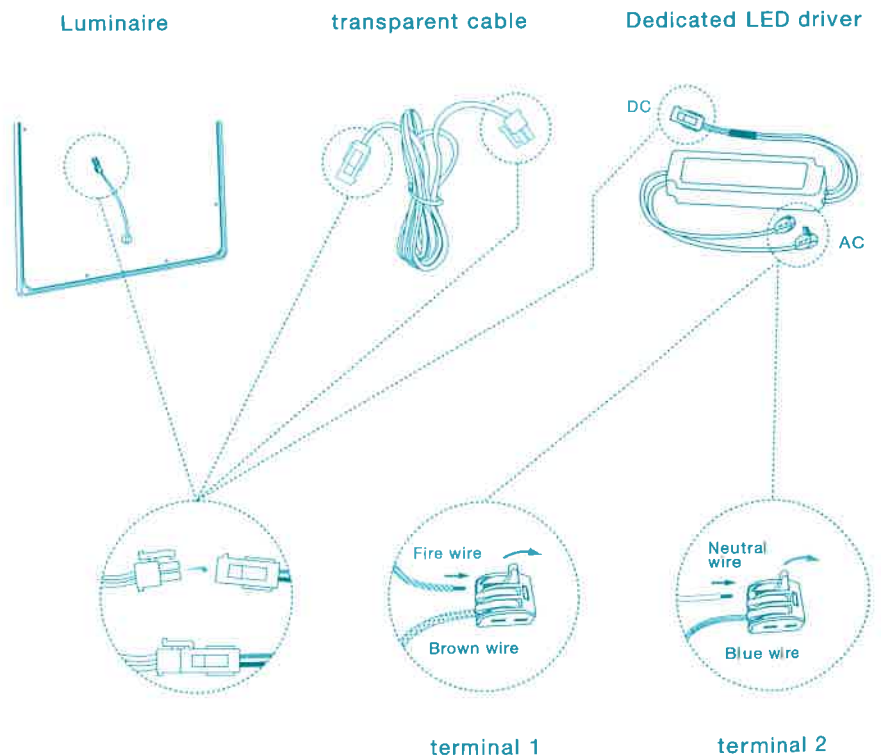
- Connect the luminaire to the transparent cable.
- Connect the transparent cable to the driver.
- Connect the driver and power cord into correct position and direction :
- Precautions : Terminals are provided at AC side of dedicated LED driver. Pull up the orange clip of the terminal to the end, insert wires completely to prevent from falling loosely, and finally push back the orange clip of the terminal to fix the wires completely.



A, Schematic diagram of I type







B, Schematic diagram of Y type



C, Driver installation diagram

LED Panel Light (Suspended Type)

Precautions

-  This luminaire is for indoor use only.
-  Input voltage must comply with the range as specified on the LED driver.
-  Operating temperature range : -20°C~+40°C
Storage temperature range : -20°C~+50°C
-  This luminaire should be connected to its dedicated LED driver.
- It is recommended that installation should be performed by professionals or certified electricians; and ensure that the power is turned off during installation, maintenance, and cleaning.
- Do not remove the warranty and manufacture labels, nor disassemble, repair, or modify the luminaire.
- Please ensure that the luminaire is complete and intact, and wires are not damaged nor broken before installation. In addition, please do not connect the luminaire with other electrical equipments in series.
- Please mind the sharp angles around the luminaire, and ensure that the luminaire is installed firmly to prevent it from falling and causing injuries.
- The LED driver is NOT recommended to lock directly on the back of the luminaire.
- Wipe the luminaire gently by soft cloth without any solvent when performing cleaning tasks to prevent the luminaire's surface from scratching or damaging.
- Please use the original carton provided when performing storing and delivery tasks; do not drop it, nor place items and weight on it.

Simple troubleshooting

Problem	Possible causes	Troubleshooting
Unable to connect the luminaire to the LED driver.	Wrong plugging direction for the connector.	Change the plugging direction.
	Connector malfunction.	Please contact customer service.
	Power is not on.	Switch on the power.
	Connector or power cord is not properly connected.	Ensure all wires are properly connected.
Luminaire fails to light up.	Luminaire or LED driver malfunction.	Please connect the luminaire with a driver which operates normally. If the luminaire works well, the original driver can be considered as malfunction. On the contrary, if the luminaire can not work, it is assumed malfunction. Please contact the distributor for customer service for repair.
	LED light source malfunction.	Please contact the distributor for customer service.
Luminaire lights up partially, or does not light up at all.	LED light source malfunction.	Please contact the distributor for customer service.

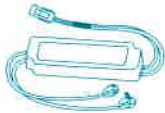



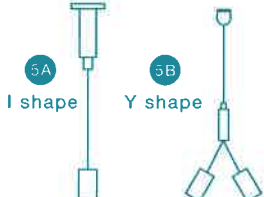

Warranty

1. Service: Under normal usage, if the product is found to be defective within its warranty period, please send the product and the receipt back for repair.
2. The warranty is void if:


- Incorrect voltage was applied to the product, or the product was installed improperly, or used in abnormal environment / under abnormal usage, or its precautions were not followed.
- The product did not use the dedicated LED driver provided by us.
- The product is repaired, modified, or altered in any way; or, the warranty and the manufacture labels were removed, damaged, or unrecognizable.
- The failure was caused by the buyer's misbehavior or carelessness during transportation, delivery, or storage process after purchasing.
- The failure was caused by natural disasters such as earthquake, or nibbles by mice or bugs etc.
- The product was used or operated under special and harsh environments; for example, damp or sulphuric area, seashore area, or on the ship, or other corrosive and erosive environments.

3. For further information regarding the product, please refer to our website or contact customer service.

Luminaire accessories

- 1 Dedicated LED driver x 1 
- 2 Washer x 4 
- 3 Anchor (I shape suspension line x 4
Y shape suspension line x 2) 
- 4 Self-tapping screw (I shape suspension line x 4 / Y shape suspension line x 2)
(Applicable for solid wooden panels or wooden angle bars that are above 20mm thick, or solid cement walls and brick walls) 
- 5 Suspension-line set (I shape suspension line x 4
Y shape suspension line x 2) 
- 6 1.7m transparent cable x 1 

Extra accessories for square-shaped luminaire

- 7 White decorative cap x 4 
- 8 Truss head screw x 4 